

AquaMetrix AM-ODO **Luminescent Dissolved Oxygen Sensor** **with dual 4-20 mA Outputs**



Features

- Dual 4-20 mA or 0-5 V outputs
- Output of %-saturation and mg/l (ppm)
- No electrolyte
- Sample flow not required.
- Very rugged
- Replaceable membrane
- Saltwater compensation with toggle.
- Not affected by CO₂ or H₂S
- Economically Priced

Descriptions

Aquametrix has been selling polarographic dissolved oxygen analyzers for over three decades. We have sourced the world for a superior sensor that operates

We are now pleased to be able to offer the only optical dissolved oxygen sensor that outputs directly 4-20 mA for the %-saturation and concentration (mg/l or ppm). It can connect to a PLC or the AquaMetrix 2300 controller. Optical DO sensors offer advantages over electrochemical DO sensors in that they are inherently self-referencing, require no warm-up period, do not require flow and are less affected by fouling.

Maintenance is trivial. The sensor membrane lasts for approximately 2 years and is inexpensive to replace. The body is corrosion resistant and designed to stand up to the harsh environment of wastewater.

No sensor on the market packs as much into one small package at such an affordable price.

Applications

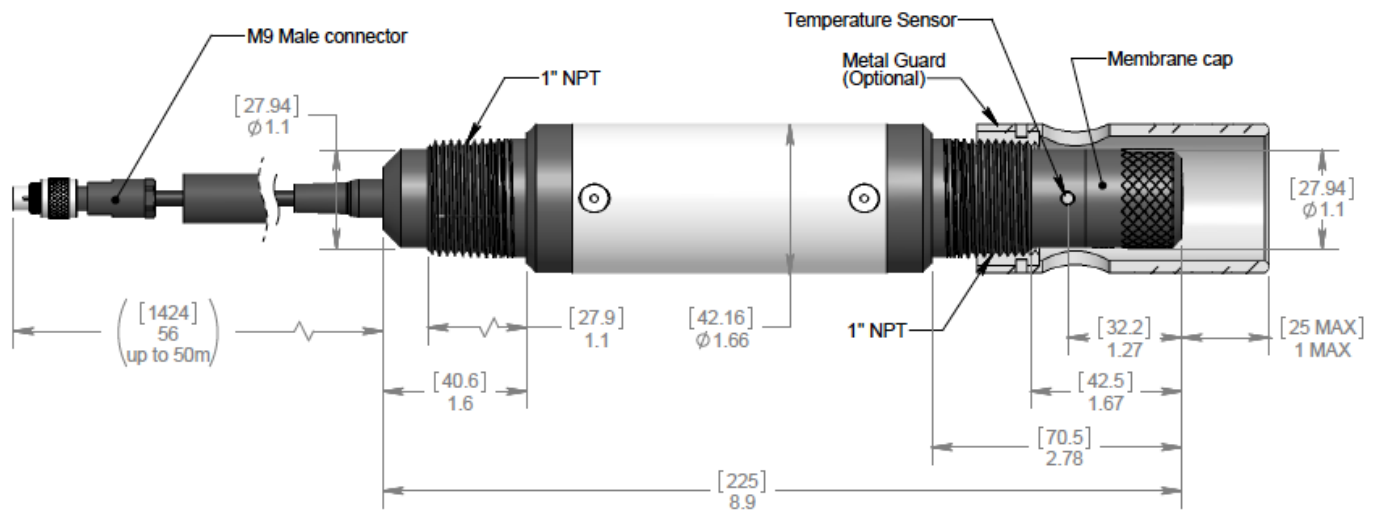
- Wastewater treatment
- Sewage
- Boilers
- Fish farms
- Aquaculture

AM-ODO Optical Dissolved Oxygen Sensor

Technical Data

Measuring Range	0 to 20 ppm (mg/l) (200% saturation)	Wetted Materials	Body: PVC, ABS Membrane: PET
Accuracy at 25 °C	±0.1 ppm below 1 ppm ±0.2 ppm above 1 ppm	Power input	5-16 VDC
Resolution	0.1 ppm	Output	4-20 mA or 0-5V %-sat and ppm (mg/l)
90% Response Time	<30 seconds	Probe Dimensions	8.9" x 1.7" (226 mm x 42 mm)
Operation Temperature	0 to 65 °C	Mounting	1" MNPT on both ends
Storage Temperature	-5 to 65 °C	Cable Length	20ft (6 m)
Salinity	Automatic Compensation switch	Warranty	2 years

Dimensions



Ordering Information

AM-ODO Sensor w 4-20 mA output	AM-ODO
Replacement Membrane	AM-ODO-Membrane

Related Products

2200D	Dissolved Oxygen Controller for P91 Clark style sensor
P91	Electrochemical (Clark) DO sensor
P91D1	Replaceable cartridge for P91