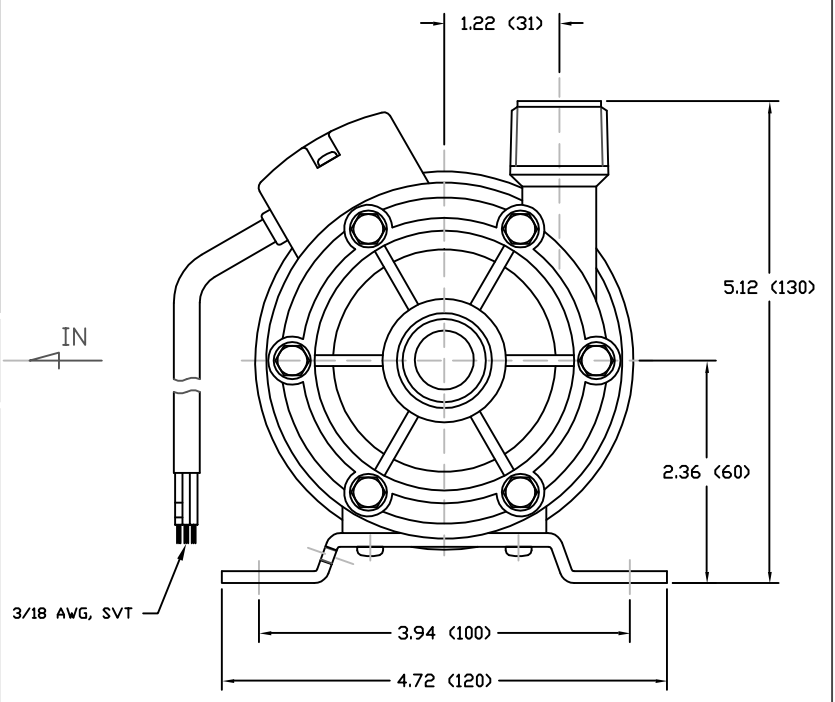
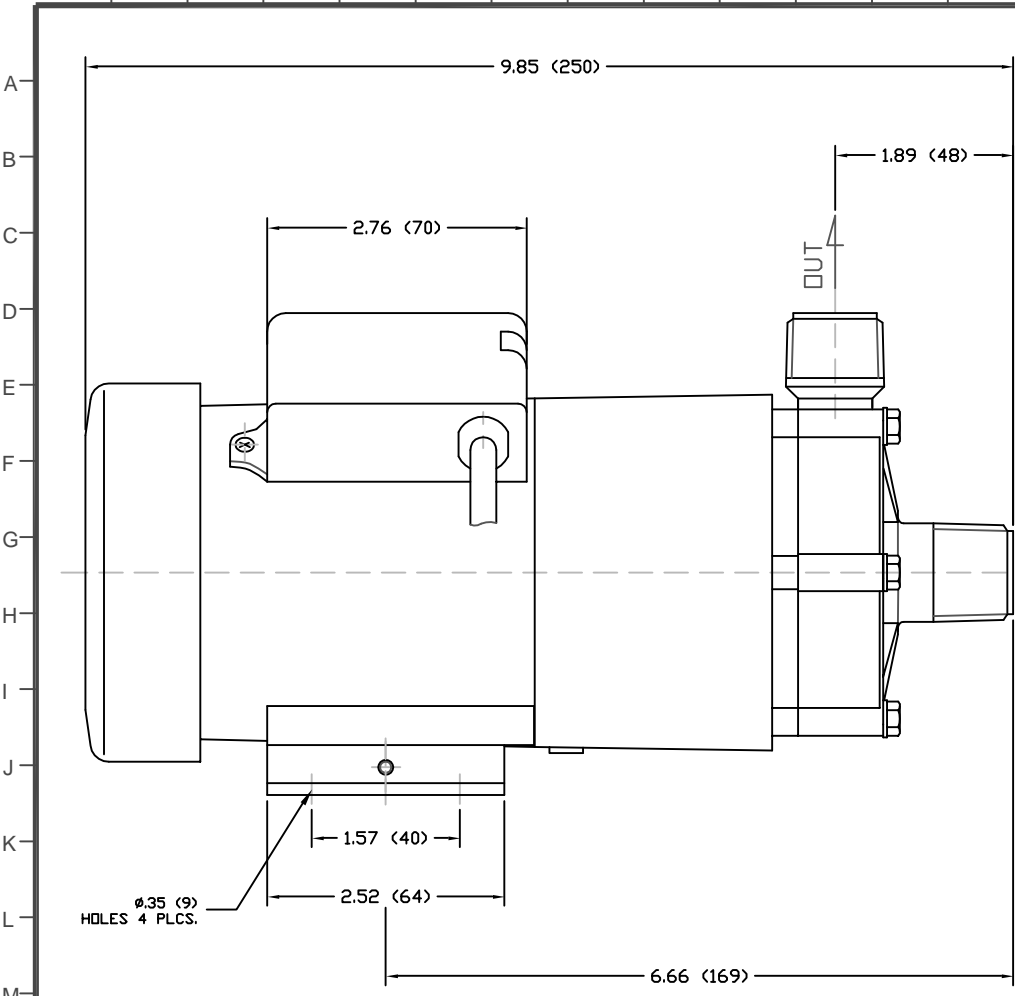


1 2 3 4 5 6 7 8 9 10 11 12 13 14 15 16 17 18 19 20 21 22 23 24 25

PART OR DRAWING NO. IF20571 REV. A



- NOTES:
 1. DRAWING MAY VARY FROM ACTUAL PRODUCT
 2. DRAWN FROM 22000414 TO SCALE.
 3. REFER TO SPECIFICATION C930914.
 4. DIMENSIONS ARE IN INCHES (MM).

SPECIFICATIONS

MAX CAPACITY	13.7 GPM (51.9 LPM)
MAX HEAD	21.3 FT (6.49 M)
MAWP	14.22 PSI (.1 MPA)
VOLTAGE	115/220 VAC
CURRENT	1.3 A
CORD LENGTH	39.4 IN (1 M)
WEIGHT	8.6 LBS (3.9 KG)
SUCTION	3/4 IN NPT - MALE
DISCHARGE	3/4 IN NPT - MALE

MATERIALS

CASING	GFRPP
IMPELLER	GFRPP
SPINDLE	ALUMINA CERAMIC
BEARING	PTFE
THRUST RING	ALUMINA CERAMIC
O-RING	FKM

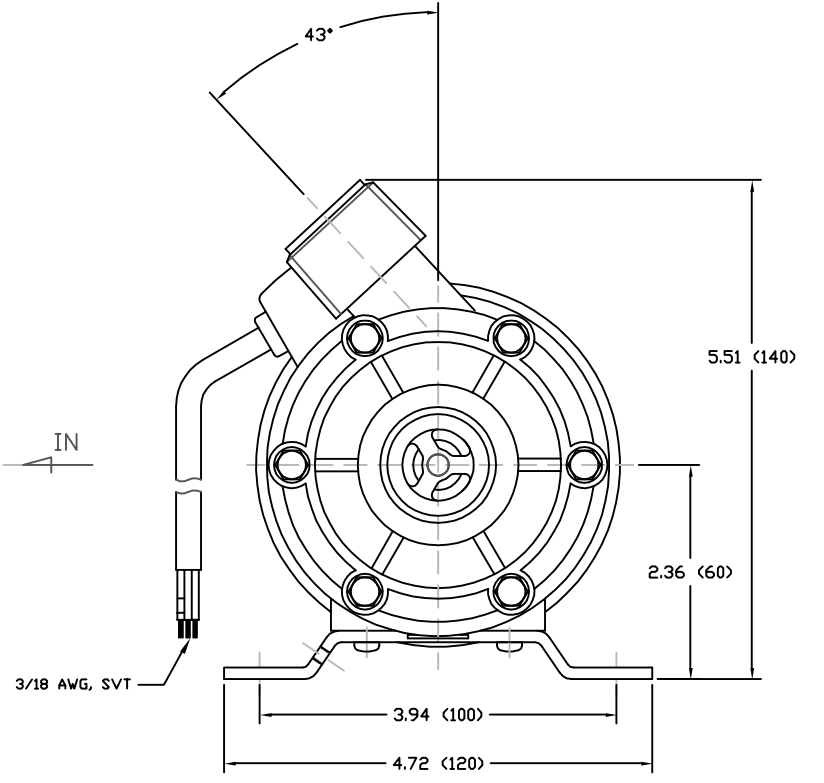
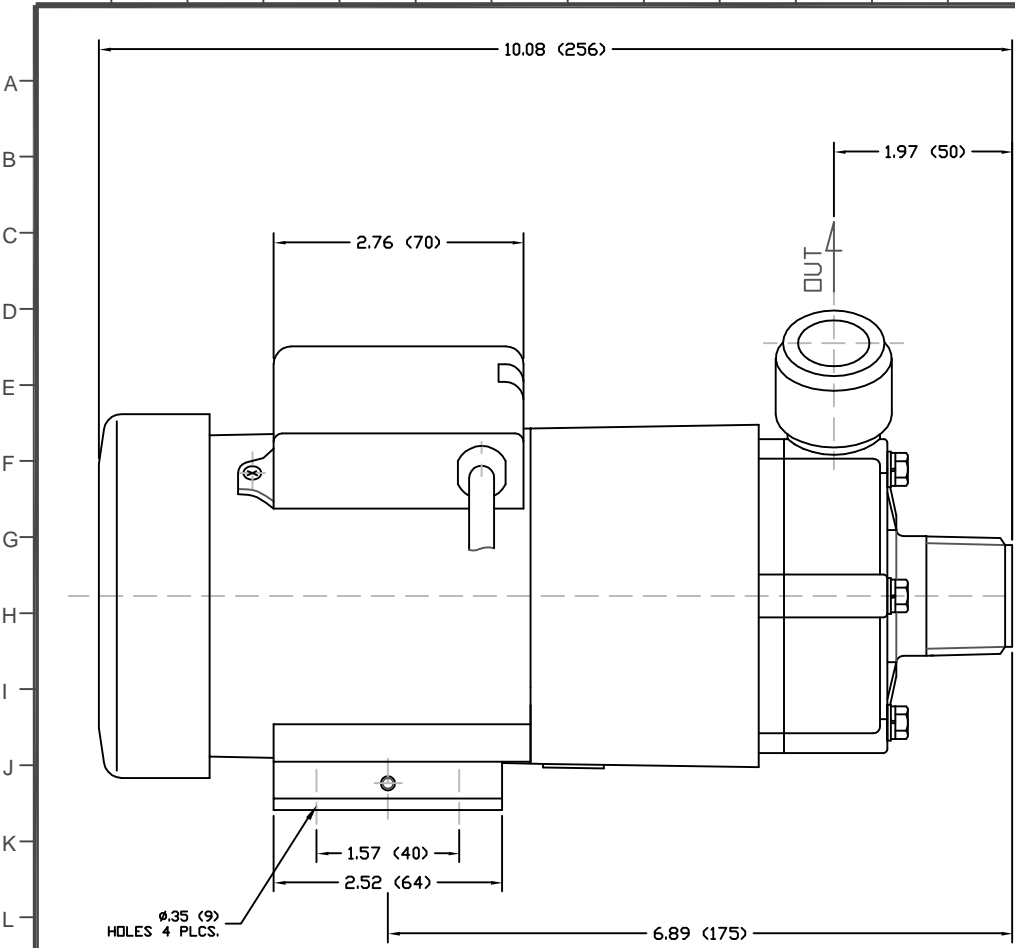
ECO#	DESCRIPTION	DATE	REV. LTR.
MATERIAL SEE CHART			
GJS	04 03 05	XXX	1
DRAWN	DAY	MO.	YR.
		RELEASED	SHEET NO.
		5 Boynton Rd. Hopping Brook Park Holliston, MA 01746 (508) 429-1440 www.IwakiAmerica.com	
TITLE			
MAG DRIVE PUMP MD-40RT (115/220V)			

PART OR DWG. NO. IF20571

REV. A

1 2 3 4 5 6 7 8 9 10 11 12 13 14 15 16 17 18 19 20 21 22 23 24 25

PART OR DRAWING NO. IF20572 REV. A



- NOTES:
 1. DRAWING MAY VARY FROM ACTUAL PRODUCT
 2. DRAWN FROM 22000416 TO SCALE.
 3. REFER TO SPECIFICATION C930913.
 4. DIMENSIONS ARE IN INCHES (MM).

MAMP SPECIFICATIONS	
MAX CAPACITY	22.4 GPM (84.8 LPM)
MAX HEAD	15.4 FT (4.7 M)
MAMP	9.95 PSI (.07 MPA)
VOLTAGE	115/220 VAC
CURRENT	1.2 A
CORD LENGTH	39.4 IN (1 M)
WEIGHT	8.6 LBS (3.9 KG)
SUCTION	1 IN NPT - MALE
DISCHARGE	1 IN NPT - MALE

MATERIALS

CASING	GFRPP
IMPELLER	GFRPP
SPINDLE	ALUMINA CERAMIC
BEARING	PTFE
THRUST RING	ALUMINA CERAMIC
O-RING	FKM

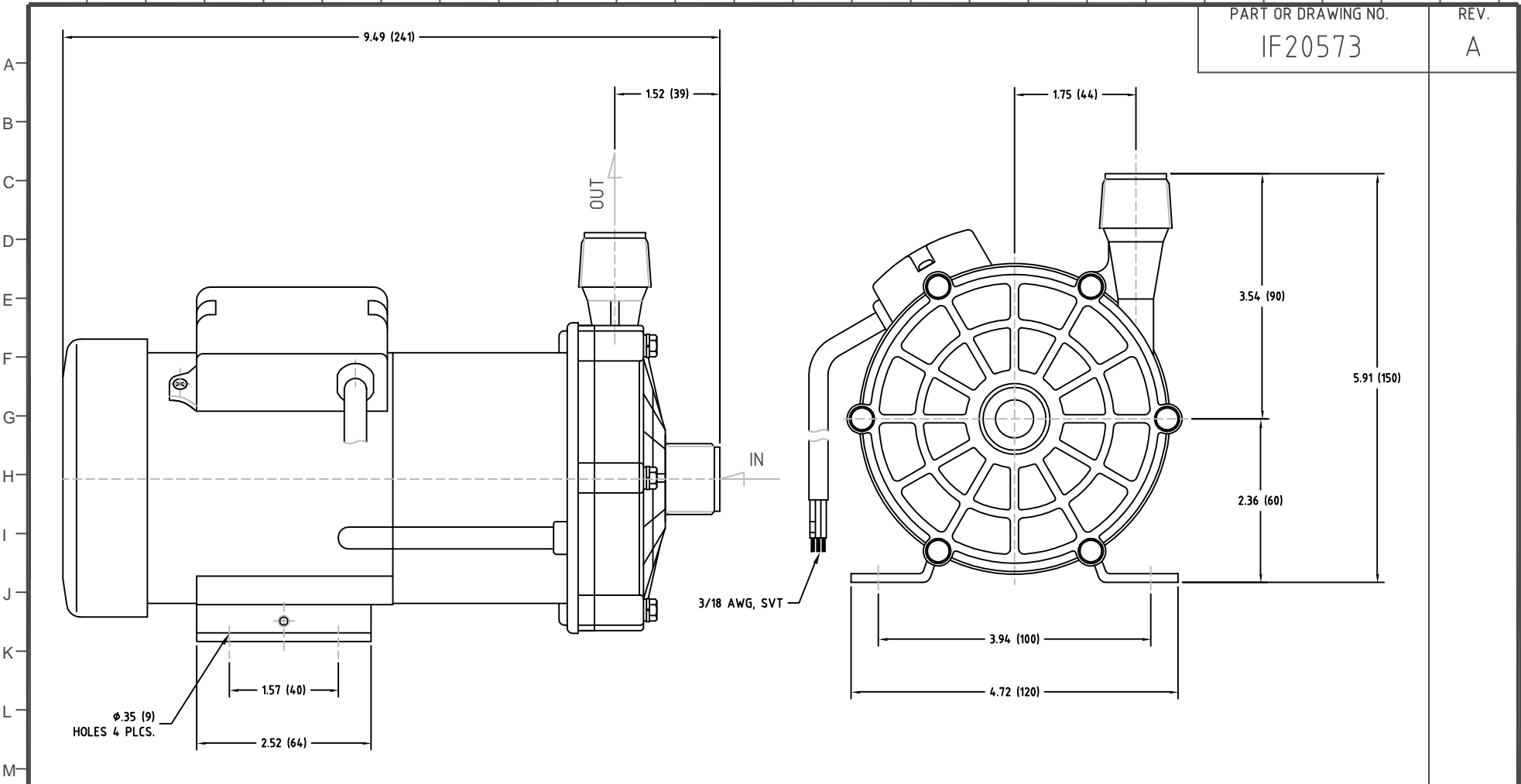
ECO#	DESCRIPTION	DATE	REV. LTR.
MATERIAL SEE CHART			
GJS	04 03 05	XXX	1
DRAWN	DAY	MO.	YR.
RELEASED		SHEET NO.	
		5 Boynton Rd. Hopping Brook Park Holliston, MA 01746 (508) 429-1440 www.lwakiAmerica.com	
TITLE			
MAG DRIVE PUMP MD-40RXT (115/220V)			

PART OR DWG. NO. IF20572

REV. A

1 2 3 4 5 6 7 8 9 10 11 12 13 14 15 16 17 18 19 20 21 22 23 24 25


PART OR DRAWING NO.
IF20573
REV.
A



NOTES:
1. DRAWING MAY VARY FROM ACTUAL PRODUCT
2. DRAWN FROM 2B310511 TO SCALE.
3. REFER TO SPECIFICATION 2H672.
4. DIMENSIONS ARE IN INCHES (MM).

SPECIFICATIONS	
MAX CAPACITY	5.8 GPM (22 LPM)
MAX HEAD	44.3 FT (13.5 M)
MAWP	29 PSI (0.2 MPA)
VOLTAGE	115/220 VAC
CURRENT	0.85 A
CORD LENGTH	39.4 IN (1 M)
WEIGHT	8.6 LBS (3.9 KG)
SUCTION	3/4 IN NPT - MALE
DISCHARGE	3/4 IN NPT - MALE

MATERIALS	
CASING	GFRPP
IMPELLER	GFRPP
SPINDLE	ALUMINA CERAMIC
BEARING	PTFE
THRUST RING	ALUMINA CERAMIC
O-RING	FKM

ECO#	DESCRIPTION	DATE	REV. LTR.
MATERIAL SEE CHART			
GJS	04 03 05	XXX	1
DRAWN	DAY	MO.	YR.
RELEASED		SHEET NO.	
 www.IwakiAmerica.com		5 Boynton Rd. Hopping Brook Park Holliston, MA 01746 (508) 429-1440	
TITLE MAG DRIVE PUMP MD-40RZT (115/220V)			REV. A

PART OR DWG. NO.
IF20573