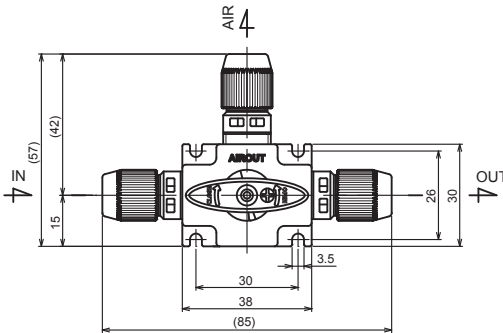


AVC check valve with an air vent (Option)

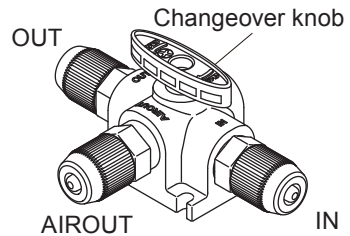
AVC check valve is designed for being used with the HRP and works for both back-flow check and bleeding.

■ Specification

| Model | Set pressure | Tube connection bore |
|---------|--------------|----------------------|
| AVC-FC1 | 0.1MPa | ø3×ø6mm |
| AVC-FC2 | | ø4×ø6mm |
| AVC-FC3 | | 1/8"×1/4" |



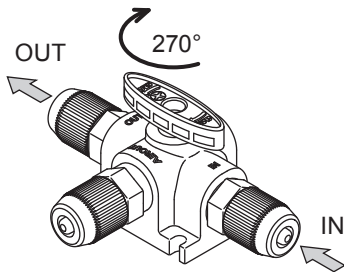
AVC air vent check valve



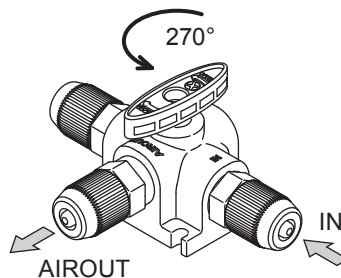
■ Back-flow check/Bleeding changeover

Select either function by rotating the changeover knob.

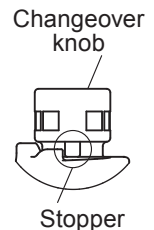
*The knob can rotate up to 270 degrees. A stopper is provided to determine the rotation limit of the knob.



Back-flow check



Bleeding



NOTE

Do not apply much stress to the stopper screw, or it may break.